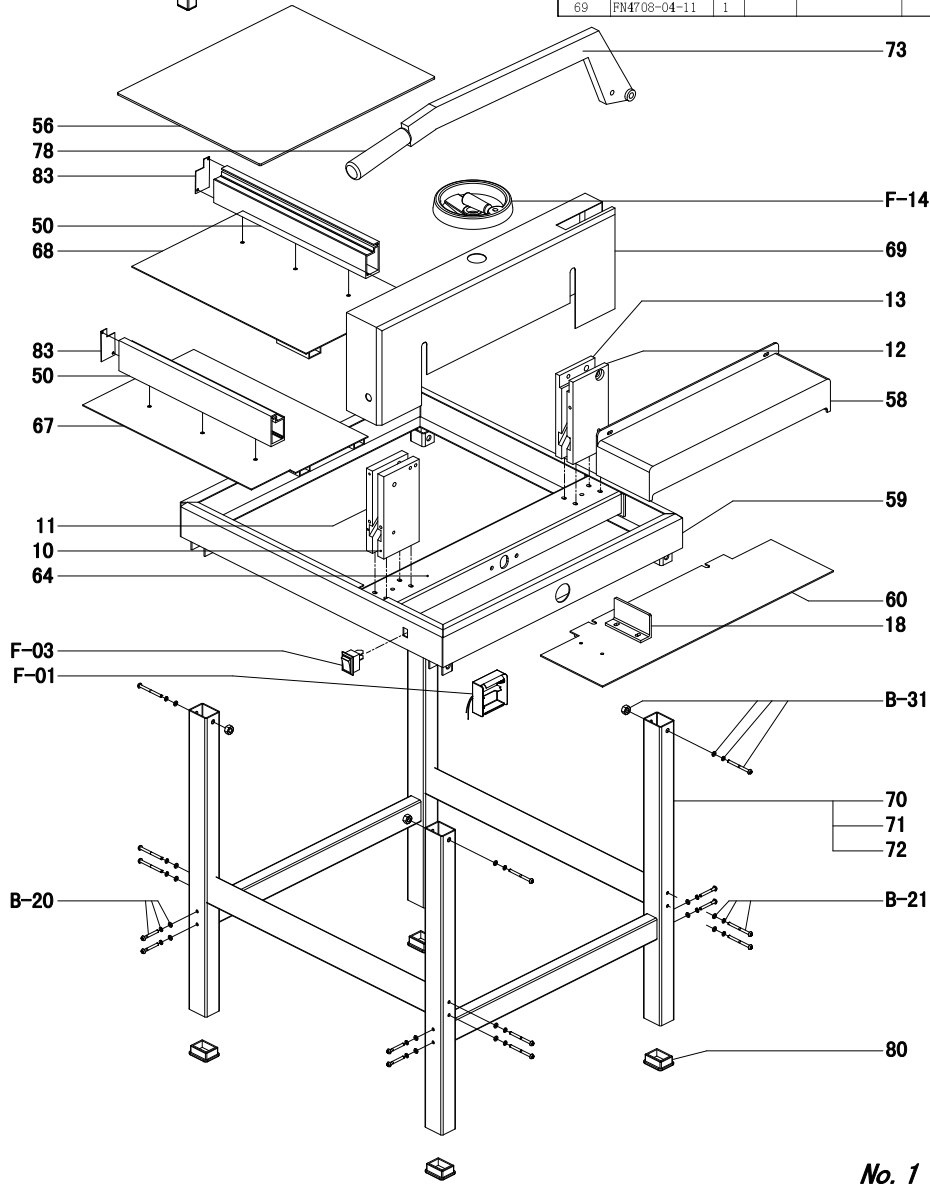
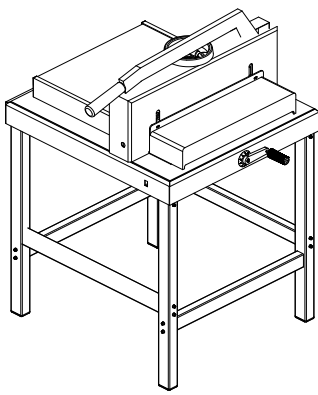


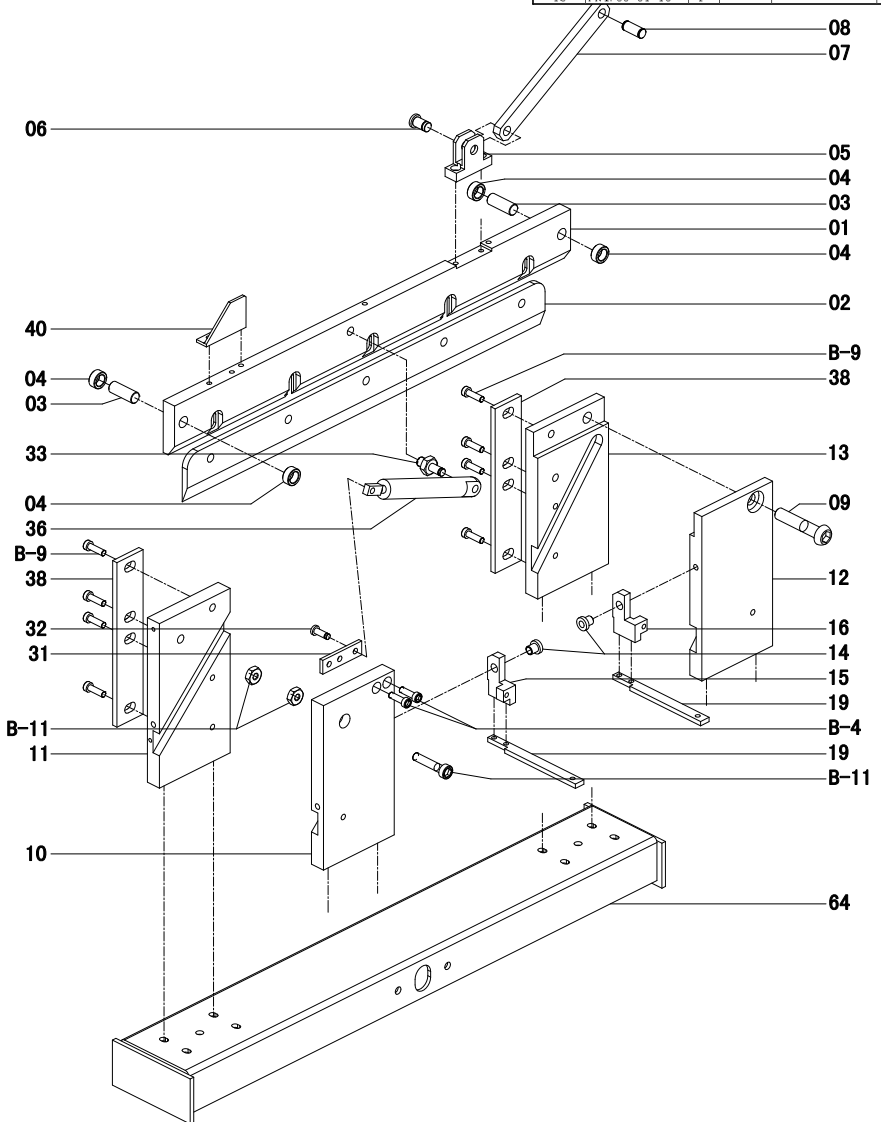
List of Components (FN4708)

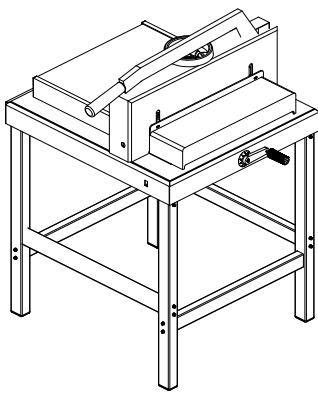
No.	Diagram No.	Qty.	No.	Diagram No.	Qty.
10	FN4305-01-10	1	70	FN4708-04-12	2
11	FN4305-01-11	1	71	FN4708-04-13	2
12	FN4305-01-12	1	72	FN4305-04-14	4
13	FN4305-01-13	1	73	FN4708-04-15	1
18	FN4305-01-21	1	78	FN4305-04-20	1
50	FN4708-03-10	2	F-01	FN4305-F-01	1
56	FN4708-03-17	1	F-03	FN4305-F-03	1
83	FN4305-04-33	2	F-14	FN4305-F-14	1
59	FN4305-04-01	1	B-20		8
64	FN4708-04-06	1	B-21		8
66	FN4708-04-08	1	B-31		4
67	FN4708-04-09	1			
68	FN4708-04-10	1			
69	FN4708-04-11	1			



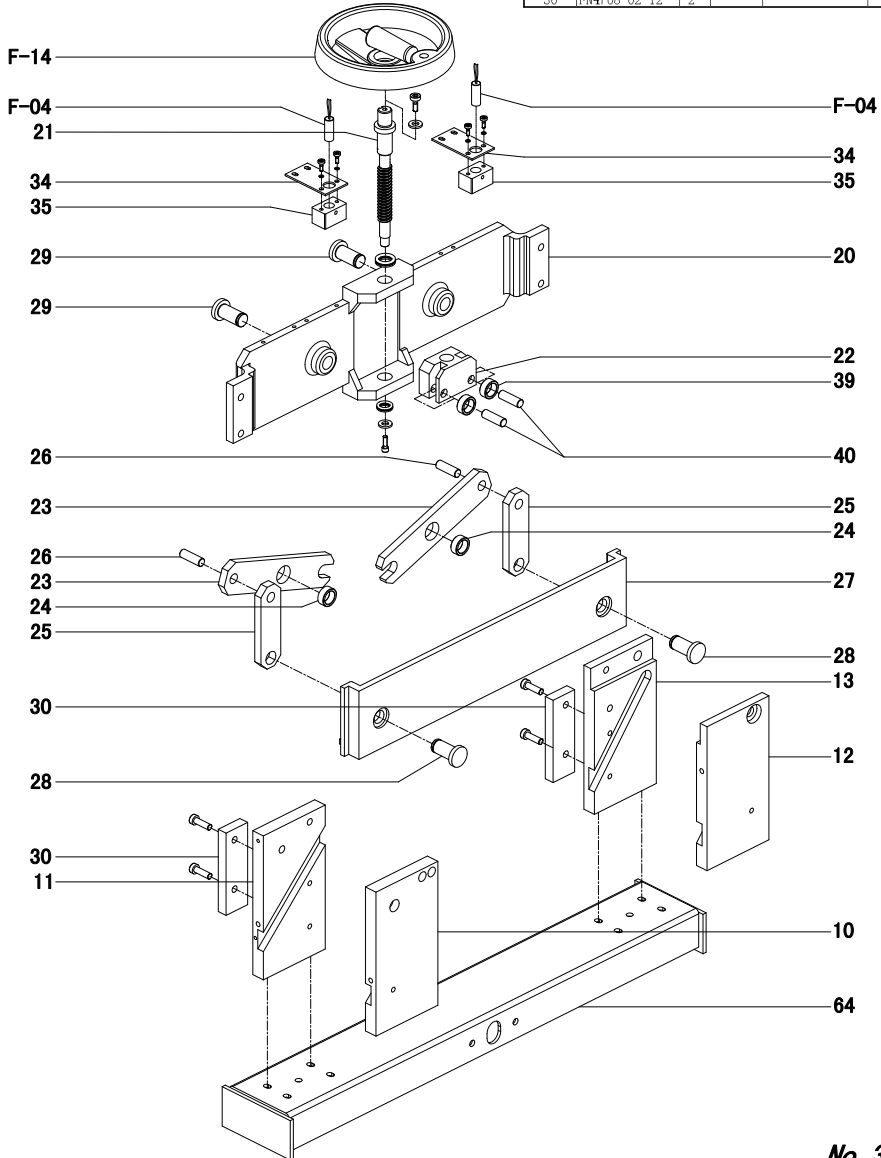


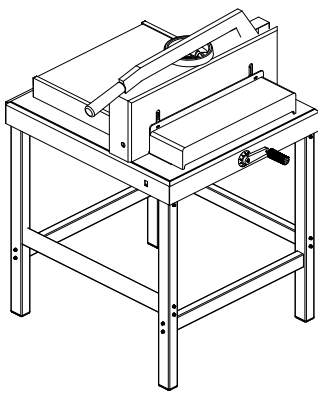
No.	Diagram No.	Qty.	No.	Diagram No.	Qty.
01	FN4708-01-01	1	16	FN4708-01-19	1
02	FN4708-01-02	1	17	FN4708-01-20	1
03	FN4708-01-03	2	18	FN4305-01-21	1
04	FN4305-01-04	4	19	FN4305-01-25	2
05	FN4708-01-05	1	31	FN4708-02-13	1
06	FN4708-01-06	1	32	FN4708-02-14	1
07	FN4708-01-07	1	33	FN4708-02-16	1
08	FN4305-01-08	1	36	FN4305-02-19	1
09	FN4708-01-09	1	37	FN4305-02-20	1
10	FN4708-01-10	1	B-4		2
11	FN4708-01-11	1	B-9		8
12	FN4708-01-12	1	B-11		1
13	FN4708-01-13	1			
14	FN4305-01-17	2			
15	FN4708-01-18	1			





List of Components (FN4708)					
No.	Diagram No.	Qty.	No.	Diagram No.	Qty.
10	FN4305-01-10	1	34	FN4305-02-17	2
11	FN4305-01-11	1	35	FN4305-02-18	2
12	FN4305-01-12	1	39	FN4708-02-22	2
13	FN4305-01-13	1	40	FN4708-02-23	2
20	FN4708-02-01	1	F-14	FN4305-F-14	1
21	FN4305-02-02	1	F-04	FN4305-F-04	2
22	FN4305-02-03	1			
23	FN4708-02-05	2			
24	FN4305-02-06	2			
25	FN4708-02-07	2			
26	FN4305-02-08	2			
27	FN4708-02-09	1			
28	FN4305-02-10	2			
29	FN4305-02-11	2			
30	FN4708-02-12	2			





List of Components (FN4708)

No.	Diagram No.	Qty.	No.	Diagram No.	Qty.
41	FN4708-03-01	1	57	FN4708-03-18	1
42	FN4708-03-02	1	81	FN4305-04-30	12
43	FN4305-03-03	1	B-26		4
44	FN4708-03-04	1			
45	FN4305-03-05	1			
46	FN4305-03-06	1			
47	FN4305-03-07	2			
48	FN4305-03-08	1			
49	FN4305-03-09	1			
51	FN4305-03-11	1			
52	FN4305-03-12	1			
53	FN4305-03-13	1			
54	FN4305-03-15	1			
55	FN4305-03-16	1			
56	FN4708-03-17	1			

